



All of the screen images in this photo are simulated and for illustrative purposes only.

LG UltraFine Display OLED Pro 65EP5G

Versatile OLED with Accurate Color,* Configurable to Suit Your Needs



reddot winner 2021



Equip your facility with LG's 65EP5G OLED professional monitor that has been developed to help meet the needs and workflows of creatives in content production, post-production, and distribution. 65EP5G builds upon the capabilities of LG's OLED displays recognized by a Technology and Engineering Emmy® award and incorporates additional features and functionality such as SDI connector inputs and a front control panel to help meet the needs of professionals.



OLED Performance
- Predictable Images
Versus LCD



Self Emissive Pixels
- Maximum Local Contrast



Advanced Video Formats
- HDR-10, HLG, DolbyVision



Hardware Level Calibration
Multiple 1D, 3D LUTs

*The LG 65EP5G meets the color accuracy requirements of a grade 1 monitor per EBU Tech 3325 ver. 2.0 Section 2.6 – Color Gamut and Color Reproduction.

65 inch (65EP5G)



All of the screen images in this photo are simulated and for illustrative purposes only.

OLED Color with a Large Screen

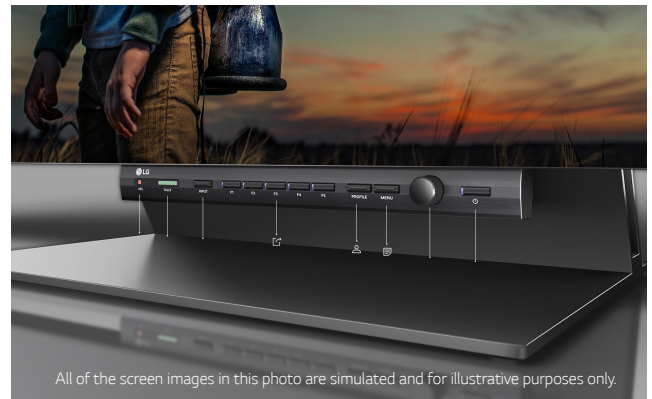
The LG 65EP5G OLED Pro display features a new, custom user interface that allows for independent selection from multiple 1D and 3D LUTs for SDR, HDR and Dolby Vision modes of operation and for each of the five supported color spaces (BT.709, BT.2020, sRGB, P3 and AdobeRGB). In addition, the UI allows selection of 1D LUTs for SDR and HDR modes of operation that can be calibrated to achieve configurations with different white points that have accurate PQ tracking in HDR and accurate gamma performance in SDR.



All of the screen images in this photo are simulated and for illustrative purposes only.

Calibration and Diverse I/O Interfaces

The 65EP5G OLED Pro display has independently-controlled self-emissive pixels and includes LG's proprietary SuperSign™ software for white balance. The display also natively supports CalMAN color calibration software for exceptional picture quality. A variety of input interfaces are provided including HDMI, quad loop-thru 12G SDI (BNC), and IP (via SFP+ & RJ45). Supported IP formats include ST-2110* and ST-2022-6.* A Genlock input is also included for use in broadcast and virtual production applications.



All of the screen images in this photo are simulated and for illustrative purposes only.

Convenience and Functionality

The control panel provides shortcuts to frequently used functions and profiles featuring different monitor settings and picture quality options. In addition, various control surfaces manufactured and sold by third party companies can be used to control the monitor via available APIs. Also, a variety of user selectable on-screen features are available such as Markers, Zoom, Time Code functions, Audio Level meters, and Waveform & Vector scopes.

*Use of Calman for calibration and measurement requires separate third-party hardware and software
*ST-2110 and ST-2022-6 functionality requires third-party SFP hardware

PRODUCT INFORMATION

65 inch

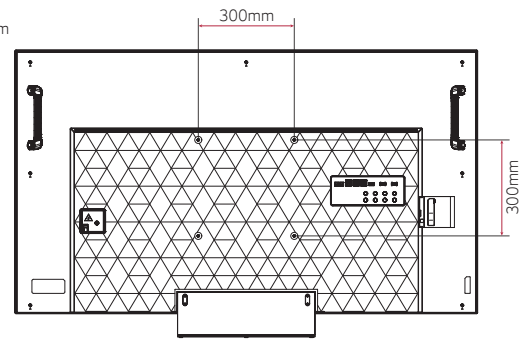
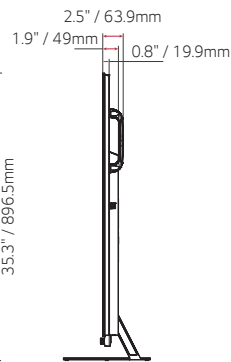
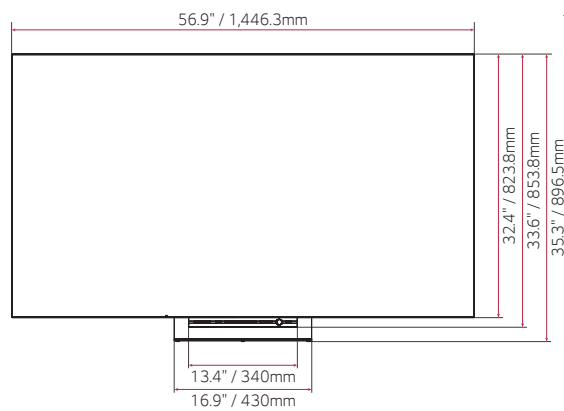


65EP5G

Design Type	Desktop Stand (Rear: Handles, VESA Mount Capable)
Panel / Resolution	OLED / 3,840 × 2,160 (UHD)
Peak Luminance	950 / 850 / 450 / 175 nit @D65 (APL 3% / 10% / 25% / 100%)
Calibration	Programmable 1D/3D Hardware LUTs, CalMAN-Ready, LG SuperSign Software (White Balance) (Uniformity to EBU Grade 1 level)
Connectivity	SDI, SFP+, HDMI, Audio Output, LAN, Remote In/Out, USB, RS-232C, REF In (Gen-Lock)
Functions	Marker, Audio Level Meter, Waveform/Vector Scope, Time Code

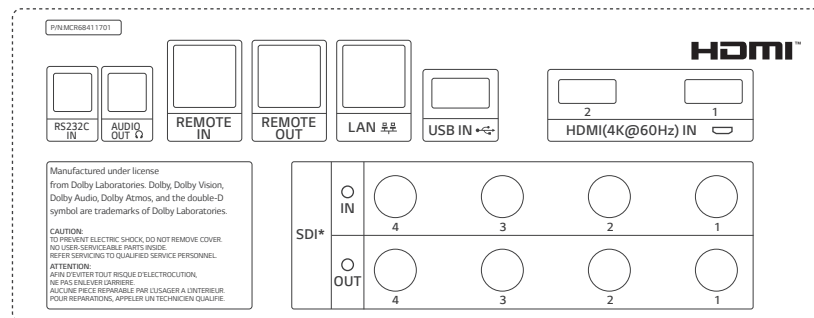
DIMENSIONS

65"



CONNECTIVITY

Rear



Side



Dimensions & Jack Panels may differ from the above image, so please contact LG sales team to verify before ordering.

65EP5G	
PANEL	Screen Size: 65"
	Panel Technology: LG OLED
	Aspect Ratio: 16:9
	Native Resolution: 3840 x 2160 (UHD)
	Refresh Rate: 120 Hz
	Peak Luminance: 950 nits (APL 3%), 850 nits (APL 10%), 450 nits (APL 25%), 175 nits (APL 100%)
	Contrast Ratio: Infinite
	Color gamut: P3 99%
	Viewing Angle (H x V): 178° x 178°
	Color Depth: 10 bit, 1.07 Billion colors
CONNECTIVITY	Lifetime (Typical): 30,000 Hours
	Operation Hours (Hours/Day): 12/7 (Moving Content Only)
	Orientation: Landscape Only
	HDMI In (x2), HDCP2.2 (HDMI2.1)
	SDI (x4) Loop-through, Single Link: SDI/HD/3G/6G/12G, Dual Link: HD/3G_4K, Quad Link: HD_4K/3G_4K
	RS232C In
	RJ45 (LAN)
	RJ45 (Remote Control) GPI-7 Port
	SFP+ (SDI, IP)
	IR In
MECHANICAL	AC Power
	3.5mm Stereo Headphone Out
	Genlock: Black Burst, Tri-Level
	Bezel Color: Black
	Bezel Width (Off Bezel): 2.0mm Even Bezel
	Bezel Width (On Bezel): T/R/L/B: 8.7 / 8.9 / 8.9 / 11.6 mm
	Weight: 68.3 lbs / 31 kg
	Weight with Stand: 75 lbs / 34 kg
	Shipping Weight: 81.6 lbs / 37 kg
	Dimensions with Control Box (W x H x D): 56.9 x 33.6 x 2.2 in, 1446.3x 853.8 x 56.5 mm
ENVIRONMENT & POWER	Shipping Dimensions (W x H x D): 65.3 x 7.5 x 38.2 in, 1660 x 190 x 970 mm
	Carrying Handle (x2, Rear)
	300 x 300 VESATM Standard Mount Interface
	Operation Temperature: 32°F to 104°F, 0°C to 40°C
	Operation Humidity: 10% to 80%
	Built-in Power Supply: 100-240 Vac, 50/60Hz
	Power Consumption (Typical): 285 W, 1054 BTU/Hr
	Power Consumption (Max.): 470 W, 1085 BTU/Hr
	Power Indicator: Standby (Red), Power On (White)
	Picture In Picture (PIP)
Adjustable OLED Light, Brightness, Contrast, Chroma, Sharpness, Tint	
White Point Settings: 9300K / 6500K / 5400K / 3200K / D65 / Illum. C / D-Cinema / 2-pt White Balance / 10-pt White Balance / 22-pt White Balance	

65EP5G	
FEATURES	Color Space: Native / P3 / BT.709 / SMPTE-C / BT.2020 / EBU / Adobe RGB / NTSC
	EO TF Custom Gamma / 1.9/2.2/2.4/2.6/HDR10 / HLG / Dolby Vision
	YCbCr Transfer Matrix: Auto / BT.709 / BT.601 / BT.2020
	HDR Metadata for Mastering Peak: Auto / None / 400 / 540 / 700 / 1000 / 2000 / 3000 / 4000 / 10000
	SDI Color Format: Auto / RGB444 / YCbCr444 / YCbCr422
	SCAN: Zero Scan / Over Scan / Under Scan / Pixel to Pixel
	AFD (Active Format Description)
	Aspect Ratio: 16:9 / 4:3 / 14:9 / 13:9 / 1.85:1 / 2.35:1
	Zoom: 2x, 3x, 4x, 5x
	Color Options: RGB / Monochrome / Blue Channel Only
ADVANCED FEATURES	Optional Picture Processing: Noise Reduction, MPEG Noise Reduction, Black Level, Real Cinema, Motion Eye Care, Dynamic Tone Mapping, Dynamic Contrast, Dynamic Color
	Markers (adjustable thickness and color): Off / 16:9 / 4:3 / 14:9 / 13:9 / 1.85:1 / 2.35:1 / User Marker 1 / User Marker 2 / User Marker 3
	Safety Area Markers: Off 16:9 (95%, 93%, 90%, 88%, 85%, 80%) 4:3 (95%, 93%, 90%, 88%, 85%, 80%)
	Center Marker
	Marker Configurations: Preset 1-2
	Audio Source Selection: SDI1 / SDI 2 / SDI 3 / SDI 4 / SFP+
	On-screen Audio Meters: 16 Audio Channels
	On-screen Scopes: Waveform Monitor, Vectorscope
	Ten User Selectable/Configurable Profiles (Password Protected)
	Programmable Function Keys F1-F5
CERTIFICATIONS & OTHER	UMD (Under Monitor Display): Custom Text On-screen
	VPID Displayed On-screen
	Control Panel (Enable/Disable)
	HDMI Ultra HD Deep Color
	Configurable OLED Panel Settings: Auto-Dimming, Screen Shift, Screen Saver
	Remote Control: IP Web API, RJ45 GPI, Infrared
	Auto-shutdown (Enable/Disable): No Signal/No IR
	Closed Captions (608, 708)
	Factory Reset
	Calibration Software Support: Calman, LG Supersign WB, Internal Pattern Generator
FCC Class "A" (Regulatory)	
CE (Regulatory)	
ErP (Environmental)	
Accessories: Remote Control (batteries x2), Quick Start Guide, 3.5mm Stereo-to-DE9 Serial Port Adapter	