



## Lenovo ThinkVision VoIP Stack

Modernize collaboration with a smarter solution

Smarter technology for all

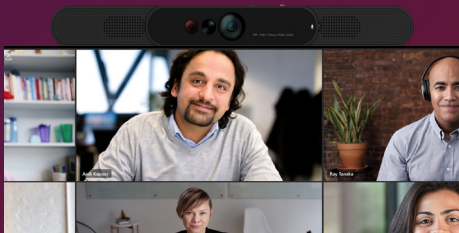
Lenovo



### Effortless virtual meetings for everyday productivity

Take virtual meetings to a whole new level with the Lenovo ThinkVision VoIP Stack that is built to deliver superior collaborative experiences for your teams, no matter where you work. This new modular stack incorporates neat, linear design features that seamlessly fit in with the ambiance of your workspace, enhancing its ergonomics. Modern remote workers who engage in frequent video conferencing can make the most of their collaborative opportunities with privacy controls. This stack design integrates the ThinkVision MC60 Monitor Webcam and ThinkVision MS30 Monitor Soundbar, making adapting to everyday hybrid working a breeze. Stay in control of your workday with various adjustability features—perfect camera angles, comfortable height, superior sound quality, and advanced security features. The whole VoIP solution combines built-in smarter features with ThinkColour software support and a flexible, clutter-free design to help elevate your productivity.

## Purposeful features for next-level meeting experiences



### Make any place your workspace

Experience flexibility at work with the ThinkVision VoIP Stack. The plug-and-play VoIP solution is made to suit your remote collaboration needs. Get a streamlined, inspiring work environment with instant starts to your meetings and stay at your productive best anytime, anywhere.



### Clutter-free connectivity with ThinkVision monitors

Say goodbye to the clutter and the mess of multiple cables. The new modular stack connects directly with your ThinkVision monitor USB-A port, so getting into a quick meeting is easy without the rush of tidying up.



### Adjustable features that support a busy day

Get the flexibility to customize your Lenovo ThinkVision VoIP Stack based on your work requirement. Independently use the ThinkVision MC60 Monitor Webcam for video calls or the ThinkVision MS30 Monitor Soundbar for audio-only meetings. Alternatively, combine the camera and speaker to get a holistic VoIP meeting solution. Adjust the height of the ThinkVision VoIP stack with monitor for comfort and ease of use.



## ThinkVision MS30 Monitor Soundbar

### Uncompromised audio quality for ThinkVision monitors

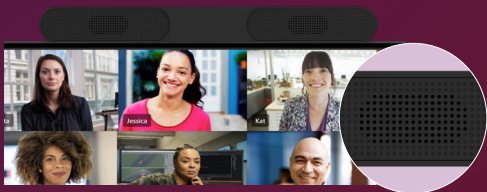
Smarter  
technology  
for all

Lenovo



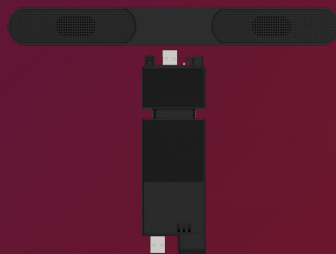
The ThinkVision MS30 Monitor Soundbar delivers crystal clear and quality sound directly from the front 2 x 2W speakers, so your virtual meetings and classroom experiences are always rich. Its sleek, modular design, less than 30 mm in height is free of cable clutter and pairs perfectly with your ThinkVision P and T Series monitors.<sup>1</sup> It has a Security Lock that keeps it safe from physical theft once connected. Lenovo ThinkColour software enables convenient display features for a stress-free experience.

## Smart audio for world-class collaboration



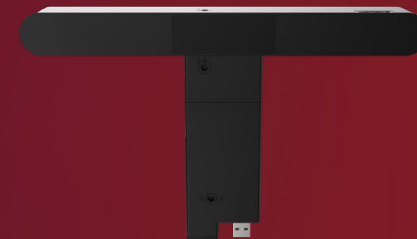
### Superior sound for effective meetings

The ThinkVision MS30 Monitor Soundbar offers an economical way for a high-quality speaker to do what it was designed for—deliver perfect sound. Simple front delivery allows you to listen well, compared to speakers that face away or those that are mounted sideways. The front-facing 2 x 2W sound experience is perfect for virtual meetings and online classroom sessions.



### Go cableless with ThinkVision P and T Series displays<sup>1</sup>

The ThinkVision MS30 Monitor Soundbar is the perfect partner for your ThinkVision monitor. Its sleek, cableless design keeps your work area clutter-free, good-looking, and always ready for collaboration. In-built anti-theft functionality with Security Lock helps ensure your system integrity remains intact.



### Innovative and easy-to-use audio settings

The ThinkVision MS30 Monitor Soundbar speaker is straight forward to operate and is designed for compatibility with your ThinkVision P and T Series monitors.<sup>1</sup> Lenovo's ThinkColour software incorporates display features, enabling easy-to-adjust audio output quality for effortless collaborative sessions.



## ThinkVision MC60 Monitor Webcam

Amplified video output  
for everyday meetings

Smarter  
technology  
for all

Lenovo



Take your virtual meetings to the next level. The ThinkVision MC60 Monitor Webcam is an intuitive webcam that offers the most stunning video quality—full 1080p resolution designed to fit on your monitor seamlessly. For seamless collaboration, capture your best perspectives with different FOV angles of 65/78/90 degrees, autofocus features, and smart controls. The ThinkVision MC60 Monitor Webcam is designed to eliminate ambient noise with directional signal transmission technology that optimizes the microphone between private and conference modes to give a tailored audio experience. Its built-in, high-sensitivity dual mics capture precise voice inputs from up to two meters away. Advanced security features such as the privacy shutter and anti-theft functionality ensure privacy protection when you need it the most.

Certified for  
Microsoft Teams

## Collaborative perspectives for the new workplace



### Superior resolution. Thoughtful design.

The ThinkVision MC60 Monitor Webcam allows you to select your best camera angle with different FOV angles of 65/78/90 degrees and adjustable height settings that help you capture your best views and still maintain your privacy. The 1080p IR+RGB camera and large 1/2.9-inch sensor size sensor combined with smart functionality controls to enhance the appearance of your face and adjust the lighting to help you always look your best. Moreover, its compact form fits super comfortably into any workspace. It does away with cable clutter while its lift expansion structure fits perfectly into your monitor's USB-A slot.



### Smart appearance. Efficient meetings.

Waste no time logging into sessions, thanks to Windows Hello secure login. Look your sharpest with the Autofocus camera. Cancel ambient noise with the latest noise-filtering technology, so your audience hears every word you say without distortion. Further enhance your meetings with Smart Traffic Light that warns people around you that you are on a call, so they won't interrupt you.



### Worry-free, secure collaboration

Stay in control of your contribution to meetings with the handy Audio Mode Switch so your audience only hears what you want to say. Your privacy is in your hands, thanks to the webcam's physical shutter that blinds your camera—especially helpful when working remotely. Additionally, the anti-theft functionality helps secure the camera with a physical key.

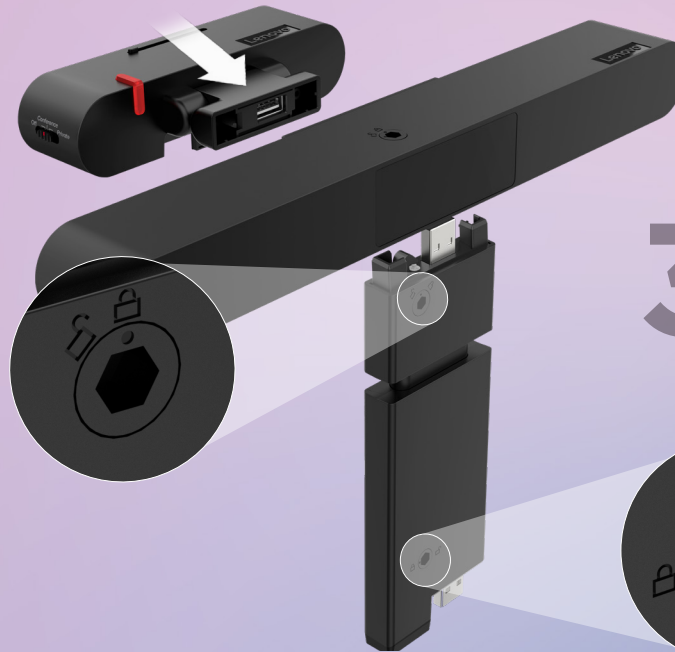
# Lenovo ThinkVision VoIP Stack installation guide

There is no reason to worry about your MC60 and MS30 falling over at a critical time or being stolen from your setup. These innovative modular solutions come with a built-in locking mechanism that secures them to the stand, and the device they are attached to. The innovative locking mechanism activates when the soundbar and camera are connected to the device. A special key is also available for users to unlock and lock them at need. Each module attaches individually, and together with the stand attachment.

**1** Attach the MC60 or MS30 with the USB-A attachment, per preference, to lock automatically



**2** Stack the MC60 in front of the MS30 via USB-A



**3** Twist the keyhole 180° to lock it in place



Visual representation of VoIP Stack after mounting on the monitor

# Technical Specifications

## THINKVISION MC60 MONITOR WEBCAM

### CONNECTIVITY

**Connectivity to Monitor**  
USB-A, cableless

**USB**  
2.0

### VIDEO

**Resolution**  
FHD (1920 x 1080)

**Record Resolution and Framerate**  
640 x 480@ 30fps  
1280 x 720@ 30fps  
1920 x 1080@ 30fps

**Lens Type**  
IR+RGB

**RGB Sensor Size**  
1/2.9 inches

**RGB DFOV**  
65° / 78° / 90°

**Digital Zoom**  
4x

**Focus Type**  
Autofocus

**Shooting Angle**  
Tilt -25° / +25°

**Video Coding**  
MJPEG  
YUY2

### AUDIO

**Integrated Microphone**  
2 x built-in mics

**Built-in Speaker**  
No

**Noise Cancellation**  
Yes

### SPECIAL FEATURES

**Software**  
Lenovo ThinkColour  
(Lenovo Display Control Centre)

**Support OS**  
Windows 10 and above

**Special Features**  
Privacy shutter : physically cover webcams lens  
Auto face framing  
Anti-flicker

**Microphone Switch**  
Microphones disable via Audio Mode  
Switch button Private mode :  
Block all noise out of 60-degree  
(ENC + beamforming) Conference  
mode : ENC only Off : Electrical off mics

**Privacy Shutter**  
Yes (built-in)

**Tilt Control**  
Yes

**Lift Expansion**  
Yes

**Security Lock**  
Yes

**Others**  
1 x Traffic light for Video / Audio on / off  
1 x Mic Indicator for Audio on / off

### POWER

**Power Input**  
5V, 800 mA

**Voltage Required**  
DC

### PHYSICAL

**Product Color**  
Raven Black

**Packed Dimension (L x D x H, mm / inch)**  
172.0 x 100.0 x 55.0 mm  
6.77 x 3.93 x 2.16 inch

**Packed Weight**  
211.2 g

**Size w/o Stand (D x H x W, mm / inch)**  
41.5 x 124.0 x 123.2 mm  
1.63 x 4.88 x 4.85 inch

**Size w/ Stand (D x H x W, mm / inch)**  
41.5 x 152.2 x 123.2 mm  
1.63 x 5.99 x 4.85 inch

**Weight w/o stand**  
73.2 g

**Weight w/ stand**  
136.8 g

### WHAT'S IN THE BOX

1 x MC60 Monitor Webcam  
1 x Stand  
1 x Key  
1 x QSG  
1 x Warranty Booklet

**Microsoft Teams**  
Yes

**Windows Hello**  
Yes

### CERTIFICATION

CE for European Union / European  
Free Trade Association  
UKCA  
FCC and ICES for North America  
CB(62368 -1)  
IC  
KCC for South Korea  
BSMI for Taiwan  
VCCI for Japan  
CQA  
UKR for Ukraine  
SASO for Saudi Arabia  
EAC for Russia / Customs Union  
VCCI for Japan  
NOM for Mexico  
Microsoft Teams  
Windows Hello

### COMPATIBLE MONITORS

P32p-30 | T32p-30  
P27h-30 | T27p-30  
P27q-30 | T32h-30  
| T27h-30  
| T27i-30

\*This software can only be used with Windows 10 & Windows 11.  
†Compatible only with selected ThinkVision P and T Series monitors.

Depending on many factors such as the processing capability of peripheral devices, file attributes, and other factors related to system configuration and operating environments, the actual transfer rate using the various USB connectors on this device will vary and is typically slower than the data rates as defined by the respective USB specifications: - 5 Gbit/s for USB 3.1 Gen1; 10 Gbit/s for USB 3.1 Gen2 & 20 Gbit/s for USB 3.2.

© 2023 Lenovo. All rights reserved. These products are available while supplies last. Prices shown are subject to change without notice. For any questions concerning price, please contact your Lenovo Account Executive. Lenovo is not responsible for photographic or typographic errors. Warranty: For a copy of applicable warranties, write to: Warranty Information, 500 Park Offices Drive, RTP, NC 27709, Attn: Dept. ZPYA/B600. Lenovo makes no representation or warranty regarding third-party products or services. Trademarks: Lenovo, the Lenovo logo, Rescue and Recovery, ThinkPad, ThinkCentre, ThinkStation, ThinkVantage, and ThinkVision are trademarks or registered trademarks of Lenovo. Microsoft, Windows, and Vista are registered trademarks of Microsoft Corporation. Intel, the Intel logo, Intel Inside, Intel Core, and Core Inside are trademarks of Intel Corporation in the U.S. and/or other countries. Other company, product, and service names may be trademarks or service marks of others.

Specifications may vary depending upon region.

Lenovo



# Technical Specifications

## THINKVISION MS30 MONITOR SOUNDBAR

### CONNECTIVITY

#### Connectivity to Monitor

USB-A, cableless

#### USB

2.0

### AUDIO

#### Power Output

2 x 2W

#### Frequency Range

140 Hz – 20 kHz

#### Impedance

4 Ohm

#### Sensitivity

85dB @1w/0.5m

#### Distortion

< 3%

#### Signal-to-Noise Ratio

64dB

#### Diver

35 x 16 mm

#### Speaker System

RTOS

### SPECIAL FEATURES

#### Software

Lenovo ThinkColour  
(Lenovo Display Control Center\*)

#### Support OS

Windows 10 and above

#### Security Lock

Yes

#### Lift Expansion

Yes

#### Others

No

### POWER

#### Power Consumption

5V, 1.6A

#### Voltage Required

DC

### PHYSICAL

#### Product Color

Raven Black

#### Packed Dimension (L x D x H, mm / inch)

300.0 x 70.0 x 80.0 mm  
11.81 x 2.76 x 3.15 inch

#### Packed Weight

302.8 g

#### Size w/o Stand (D x H x W, mm / inch)

34.5 x 27.2 x 256.0 mm  
1.35 x 1.07 x 10.07 inch

#### Size w/ Stand (D x H x W, mm / inch)

34.5 x 152.2 x 256.0 mm  
1.35 x 5.99 x 10.07 inch

#### Weight w/o stand

111.2 g

#### Weight w/ Stand

174.8 g

### WHAT'S IN THE BOX

1 x MS30 Monitor Soundbar  
1 x Stand  
1 x Key  
1 x QSG  
1 x Warranty Booklet

### CERTIFICATION

CB  
FCC  
IC  
CE  
UKCA  
BIS  
VCCI  
BSMI  
KC  
3C  
CQA

### COMPATIBLE MONITORS

P32p-30 | T32p-30  
P27h-30 | T27p-30  
P27q-30 | T32h-30  
| T27h-30  
| T27i-30

\*This software can only be used with Windows 10 & Windows 11.  
†Compatible only with selected ThinkVision P and T Series monitors.

Depending on many factors such as the processing capability of peripheral devices, file attributes, and other factors related to system configuration and operating environments, the actual transfer rate using the various USB connectors on this device will vary and is typically slower than the data rates as defined by the respective USB specifications: - 5 Gbit/s for USB 3.1 Gen1; 10 Gbit/s for USB 3.1 Gen2 & 20 Gbit/s for USB 3.2.

© 2023 Lenovo. All rights reserved. These products are available while supplies last. Prices shown are subject to change without notice. For any questions concerning price, please contact your Lenovo Account Executive. Lenovo is not responsible for photographic or typographic errors. Warranty: For a copy of applicable warranties, write to: Warranty Information, 500 Park Offices Drive, RTP, NC 27709, Attn: Dept. ZPYA/B600. Lenovo makes no representation or warranty regarding third-party products or services. Trademarks: Lenovo, the Lenovo logo, Rescue and Recovery, ThinkPad, ThinkCentre, ThinkStation, ThinkVantage, and ThinkVision are trademarks or registered trademarks of Lenovo. Microsoft, Windows, and Vista are registered trademarks of Microsoft Corporation. Intel, the Intel logo, Intel Inside, Intel Core, and Core Inside are trademarks of Intel Corporation in the U.S. and/or other countries. Other company, product, and service names may be trademarks or service marks of others.

Specifications may vary depending upon region.

Lenovo